



Omega National
PRODUCTS

By: REV-A-SHELF

Hood Accessories

Broan Ventilation | Interior Ductwork
Kit/Liners | Sirius Ventilation



Omega National Products by Rev-A-Shelf®



Who We Are:

Omega National Products by Rev-A-Shelf® is the industry's preferred resource for quality Wood Range Hoods, Ventilation, Floating Shelves and Wood Cabinet Components. Our Wood Range Hoods and Floating Shelves are available in a variety of sizes, wood species and styles to complement any kitchen design. We make our products in Elkhart, IN using rigorous manufacturing processes and quality control standards.

We stock Wood Range Hoods and Floating Shelves in the most popular styles, wood species and sizes to allow for quicker lead times, allowing us to better serve you and your customers.

BROAN® Ventilation

BROAN® 260 CFM

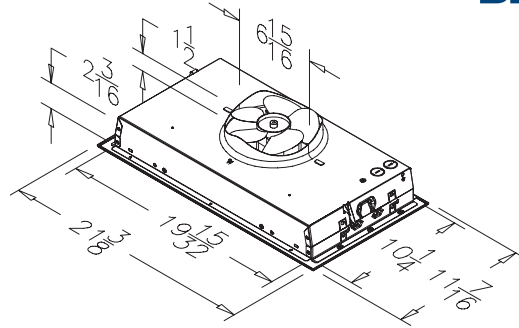
- HVI certified CFM: 260 on high (with 7" duct); 140 on low (with 7" duct)
- Stainless steel finish
- Sones on high: 7; Sones on low: 3
- Bright LED Lights (2):
 - Wattage: 2.8 W -CCT (color temp.): 3,000K
 - Lumens: > 250
 - Rated Life: > 25,000 hrs. 2-speed rocker switch
- Max CFM: 300 (pre-installation)
- Quick-release aluminum mesh filter (dishwasher safe)
- Power requirements: 120 VAC, 60 Hz – 2.3 AMPS
- Ducting: vertical 7" round

BROAN® 400 CFM

- HVI certified CFM: 400 on high (3-1/4 x 10 rectangular duct); 390 on high (6" round duct)
- Stainless steel finish
- Sones on high: 6
- Bright LED lights (2):
 - Wattage: 2.8 W
 - CCT (color temp.): 3,000K
 - Lumens: > 250
 - Rated Life: > 25,000 hrs.
- Heat sentry automatically turns unit on when excessive heat is detected.
- Unit has master on-off switch (to meet future standards)
- Quick-release aluminum mesh filter (dishwasher safe)
- Power requirements: 120 VAC, 60 Hz – 2.3 AMPS
- Ducting: vertical 6" round or 3-1/4" x 10"



BROAN

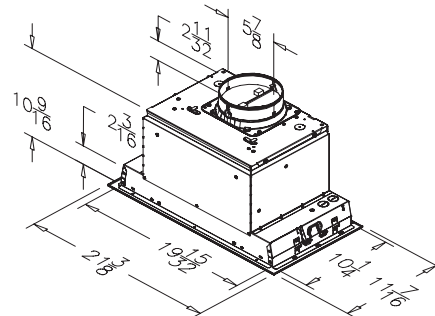


BROAN® 260 CFM Ventilation Power Module

PRODUCT	DESCRIPTION	FINISH	SLP
RHVB300SS	BROAN 260 CFM	Stainless Steel	\$353.80



BROAN



BROAN® 400 CFM Ventilation Power Module

PRODUCT	DESCRIPTION	FINISH	SLP
RHVB400SS	BROAN 400 CFM	Stainless Steel	\$748.20

Wall Hoods

Canopy Hoods

Hood Accessories

Floating Shelves

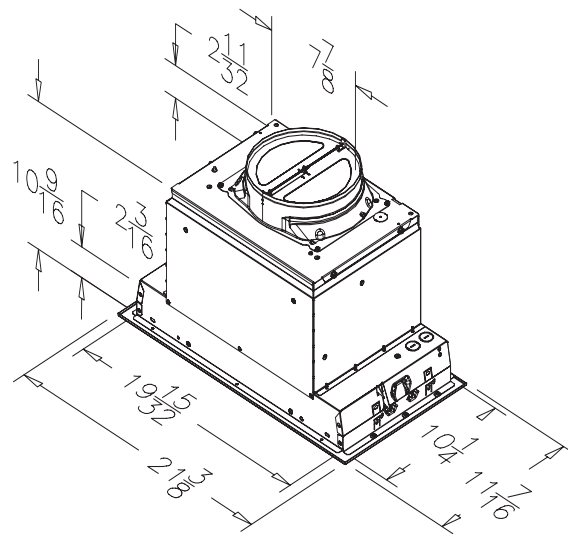
BROAN® Ventilation

BROAN® 600 CFM

- HVI certified CFM: 600 on high (with 8" round duct); 580 on high (3-1/4 x 10" duct)
- CRT (Code-Ready Technology) allows you to change CFM to 400 or 300 CFM at installation, allowing the ventilator to conform to make-up air code requirements, where applicable.
- Stainless steel finish
- Sones on high: 9.5; Sones on low: 3.3
- Bright LED lights, 3-level (2 modules):
 - Wattage: 3W
 - CCT (color temp.): 3,000K
 - Lumens: > 300
 - Rated Life: > 25,000 hrs.
- Max CFM: 650 (pre-installation)
- 4-speed electronic soft touch control buttons
- Baffle-style quick-release filter (dishwasher safe)
- Auto-sensing feature (when activated) sets CFM to correct level for what is being prepared on cooktop.
- Wi-Fi enabled feature allows for voice control using Alexa/Google, if desired.
- Heat sentry automatically turns unit on when excessive heat is detected.
- Unit has master on-off switch (to meet future standards)
- Ducting: 8" round, 6" round or 3-1/4" x 10"
- Power requirements: 120 VAC, 60 Hz - 4.0 AMPS



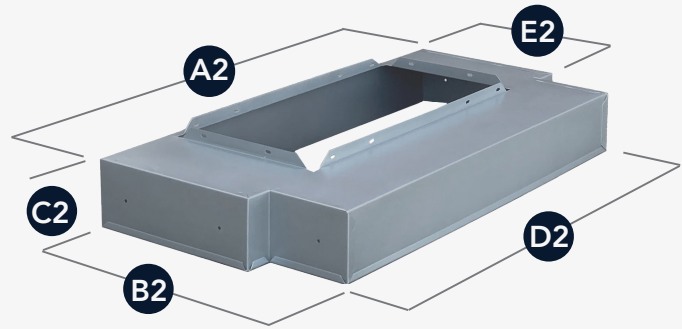
BROAN



BROAN® 600 CFM Ventilation Power Module

PRODUCT	DESCRIPTION	FINISH	SLP
RHVB600SSV	BROAN 600 CFM	STAINLESS STEEL	\$1435.50

BROAN® Liners



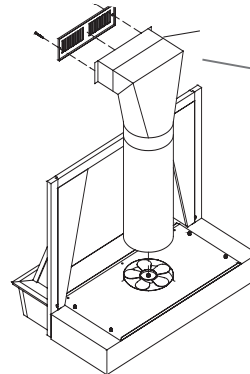
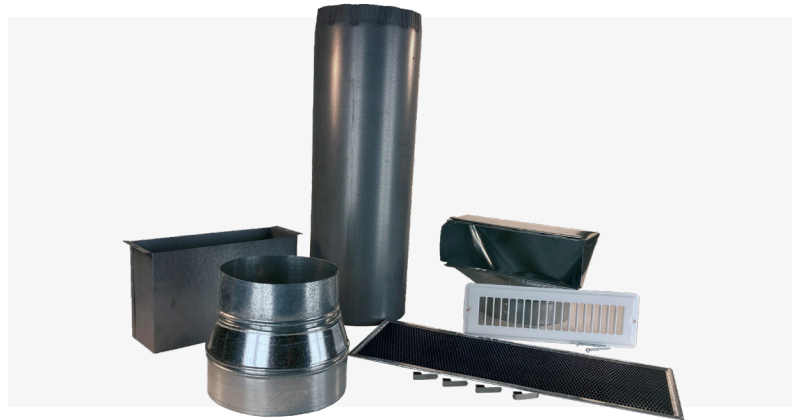
Opening is W19-1/2" x D10-1/4"

Liners Designed for BROAN® Ventilation

PRODUCT	MODEL	DESCRIPTION	FINISH	A2	B2	C2	D2	E2	SLP
090654SM2	RHVBF300SS/RHVB400SS/RHVB600SSV	Liner 30" Notched	SM	29-15/16"	16-1/2"	4"	26-3/16"	11-1/8"	\$179.70
090655SM2	RHVBF300SS/RHVB400SS/RHVB600SSV	Liner 36" Notched	SM	35-15/16"	16-1/2"	4"	32-3/16"	11-1/8"	\$207.90
090656SM2	RHVBF300SS/RHVB400SS/RHVB600SSV	Liner 30" Rectangular	SM	28-1/2"	18-1/4"	4"	-	-	\$229.60
090657SM2	RHVBF300SS/RHVB400SS/RHVB600SSV	Liner 36" Rectangular	SM	34-1/2"	18-1/4"	4"	-	-	\$245.25
090658SM2	RHVBF300SS/RHVB400SS/RHVB600SSV	Liner 30" x 24-1/2" Rectangular	SM	28-1/2"	24-1/2"	4"	-	-	\$244.75
090659SM2	RHVBF300SS/RHVB400SS/RHVB600SSV	Liner 36" x 24-1/2" Rectangular	SM	34-1/2"	24-1/2"	4"	-	-	\$255.25
099AB36SM1	RHVBF300SS/RHVB400SS/RHVB600SSV	Liner 36" Arched	SM	34-7/16"	18-1/4"	6"	-	-	\$205.10
099AB42SM1	RHVBF300SS/RHVB400SS/RHVB600SSV	Liner 42" Arched	SM	40-7/16"	18-1/4"	6"	-	-	\$215.90
099AB48SM1	RHVBF300SS/RHVB400SS/RHVB600SSV	Liner 48" Arched	SM	46-7/16"	18-1/4"	6"	-	-	\$227.95
090SB36SM1	RHVBF300SS/RHVB400SS/RHVB600SSV	Liner 36" Straight	SM	34-7/16"	18-1/4"	4"	-	-	\$230.55
090SB42SM1	RHVBF300SS/RHVB400SS/RHVB600SSV	Liner 42" Straight	SM	40-7/16"	18-1/4"	4"	-	-	\$242.55
090SB48SM1	RHVBF300SS/RHVB400SS/RHVB600SSV	Liner 48" Straight	SM	46-7/16"	18-1/4"	4"	-	-	\$215.35

Interior Ductwork Kit

- Kit for ducting range hood exhaust back into the kitchen
- Includes:
 - Charcoal filter 7-1/2" x 19" with clips
 - White steel grill 11-1/4" x 3-3/4"
 - Angle boot 7" x 4" x 10"
 - Angle boot collar 4" x 10"
 - Round pipe 7" x 22"
 - Reducer 7" x 6"



6"
Of Adjustment

Interior Ductwork Kit

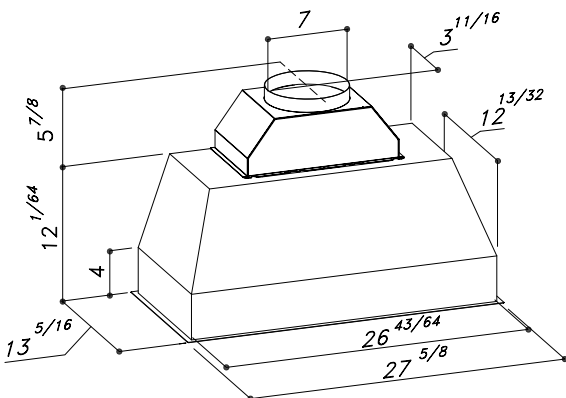
PRODUCT	DESCRIPTION	SLP
90360DUC1	Interior Ductwork Kit	\$217.50
903720007	Replacement Charcoal Filter	\$66.70

Note: Not for use in 30" Range Hood Chimneys

Sirius Ventilation

Sirius 960 CFM Power Module

- Clean European design with professional-style appearance and performance (960 CFM)
- Produced using 430-grade stainless steel
- Stainless baffle filters are easily removed for cleaning (dishwasher safe)
- Dual aluminum die cast motors
- Very quiet operation - 66 dBA / Sones on High: 5.1
- 4-speed push button control offers greater CFM flexibility: 960 CFM, 660 CFM, 480 CFM and 300 CFM
- 10 minute delay off timer
- Includes LED lighting
Wattage: 2 x 4W LED spot for 34"
- As with all pro-style ventilation, exterior ducting is recommended
- Weight: 39 lbs
- 3-year limited warranty



Enhance performance without sacrificing style with our Sirius Ventilation System. These high-performance ventilators offer exceptional ventilation with a powerful 960 CFM at the cooktop, complemented by durable stainless steel baffle filters for maximum efficiency.

Some of our Wood Range Hood styles with 36" minimum widths come equipped with liners that are perfectly tailored for the Sirius system. Our Signature, Signature Craftsman, and Artisan style hoods now include liners compatible with this system as standard.

Visit omeganationalproducts.com to browse part numbers and explore our extensive range of wood accessories. The vast majority of our product line is proudly made by Omega National Products, right here in the US.



R2136SMS3MUF1 Straight Valance
Signature Hood with SUT90870MLEd

Sirius 960 CFM Power Module

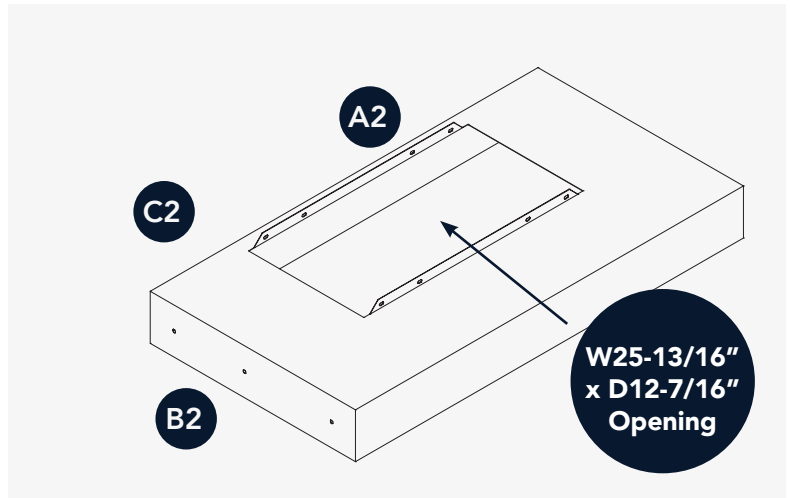
PRODUCT	SPECIES	SLP
SUT90870MLEd	960 CFM Ventilator	\$2189.75



Omega National
PRODUCTS

Sirius Ventilation Liners

- Designed for custom applications
- 6" deep
- Crafted from 20-gauge restaurant-grade stainless steel
- Clear powder coat for easy cleaning
- Recommended for 48" and larger cooktops
- Mounting flanges included



Liners Specifically Designed for Sirius 960CFM Ventilator

PRODUCT	DESCRIPTION	A2	B2	C2	SLP
09080AS336SM1	Liner 36" Arched	34-7/16"	18-3/16"	6"	\$248.10
09080AS342SM1	Liner 42" Arched	40-7/16"	18-3/16"	6"	\$262.45
09080AS348SM1	Liner 48" Arched	46-7/16"	18-3/16"	6"	\$257.80
09081SS36SM1	Liner 36" Straight	34-7/16"	18-3/16"	4"	\$240.10
09081SS42SM1	Liner 42" Straight	28-1/2"	18-3/16"	4"	\$257.60
09081SS48SM1	Liner 48" Straight	46-7/16"	18-3/16"	4"	\$267.90

Wall Hoods

Canopy Hoods

Hood Accessories

Floating Shelves



Omega National
P R O D U C T S



Omega National Products By: Rev-A-Shelf®

1010 Rowe Street
Elkhart, IN 46516

Contact Us:
omeganationalproducts.com
info@omeganationalproducts.com

(800) 533-8809 / (574) 295-5353
Fax: (574) 295-5329